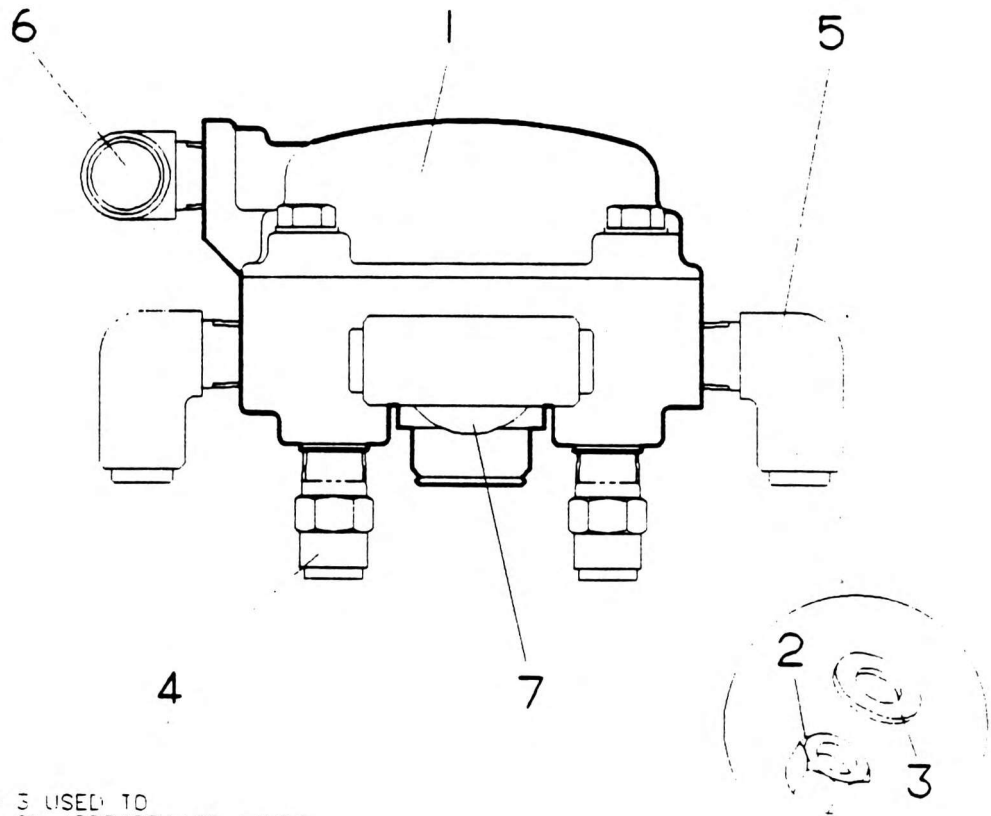


RELAY VALVE ASSEMBLY



ITEMS 2 AND 3 USED TO
MOUNT VALVE ON APPROPRIATE STUDS

NO.	PART NO.	QTY.	DESCRIPTION	NO.	PART NO.	QTY.	DESCRIPTION
1 +	7-926-990157	1	Relay Valve				
2	7069301	2	Nut Hex M10				
3	7066538	2	Washer M10				
4	7-443-990968	2	Adaptor $\frac{1}{8}$ " NPTF x $\frac{1}{8}$ " Tube				
5	7-443-991027	2	Fixed Elbow Adaptor				
6	7-443-991004	1	Tee Adaptor				
7	7-443-990998	1	Tee Adaptor				

+ See further breakdown in this group